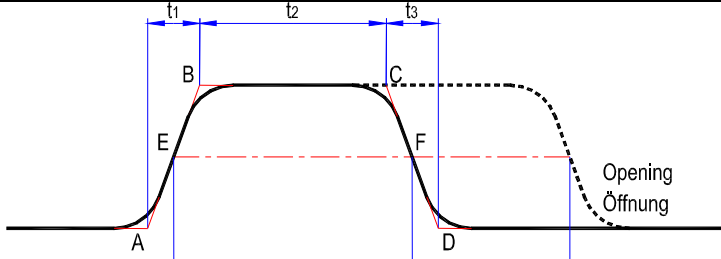
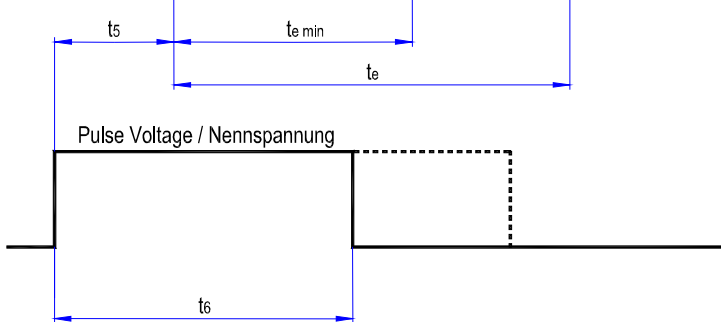
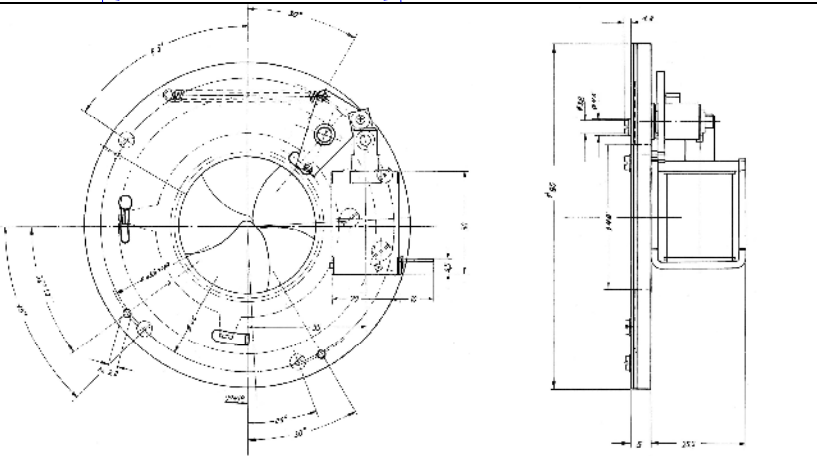




Prontor magnetic E/40

<p>opening chart</p>			
<p>input pulse</p>			
<p>engineering drawings</p>			
		<p>minimum</p>	<p>maximum</p>
<p>opening time*</p>	<p>t_1</p>	<p>7 ms</p>	<p>15 ms</p>
<p>closing time*</p>	<p>t_3</p>	<p>7 ms</p>	<p>15 ms</p>
<p>delay between beginning of pulse and t_e</p>	<p>t_5</p>	<p>28 ms</p>	<p>32 ms</p>
<p>pulse duration for $t_{e,min}$</p>	<p>t_6</p>	<p>35 ms</p>	<p>35 ms</p>
<p>shortest exposure time</p>	<p>$t_{e,min}$</p>	<p>35 ms</p>	<p>40 ms</p>
<p>shortest time between two exposures</p>		<p>1 s</p>	<p>-</p>
<p>general information's</p>	<p>For the shortest effective exposure time the magnet needs a pulse of 35 ms 24 V DC. For exposure times lasting longer then 30 ms, the pulse has to be extended. The shutter closes automatically after switching off the voltage.</p>		

* Variation of the individual shutter within 50% of nominal range.

